

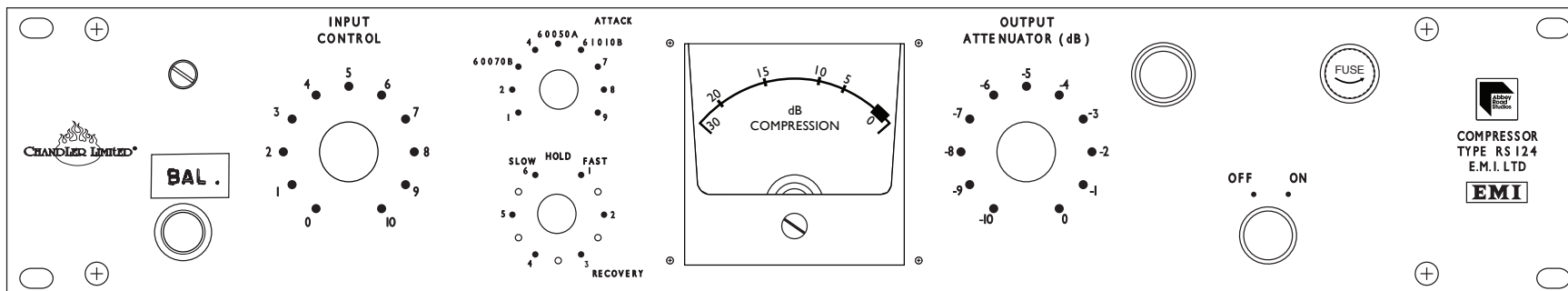


CHANDLER LIMITED RS124 COMPRESSOR RECALL SHEET

SESSION/ARTIST: _____ STUDIO: _____

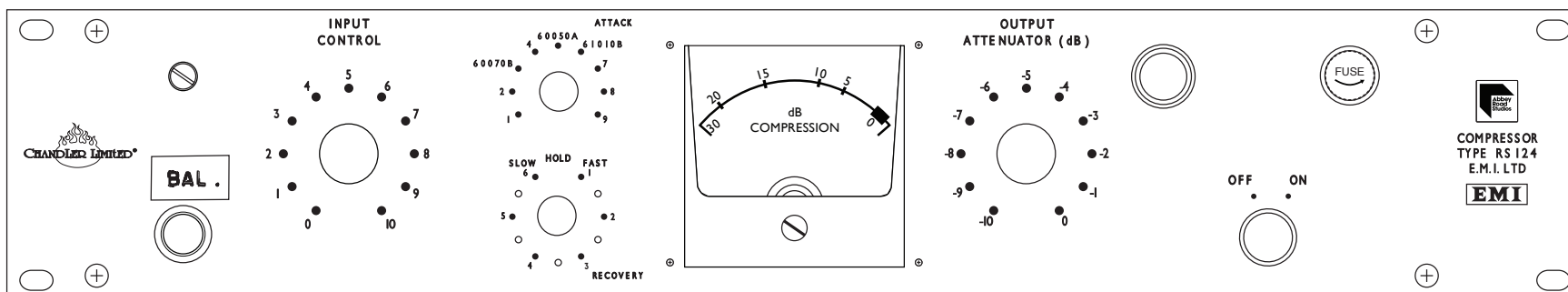
TRACK TITLE: _____ ENGINEER: _____

DATE: _____ ASST. ENGINEER: _____



SOURCE: _____

NOTES: _____



SOURCE: _____

NOTES: _____